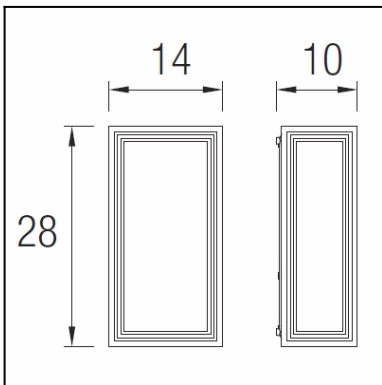
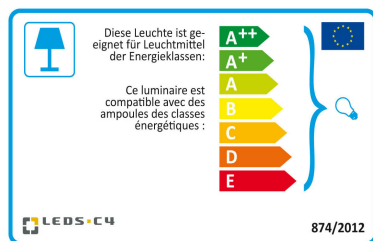




La finition de la photographie peut ne pas coïncider avec celle de la référence. Pour identifier la finition réelle, voir la description de cette dernière.



[Download photometric file .ldt /.ies](#)



Cliquez sur l'image pour télécharger l'étiquette-énergie

CARACTÉRISTIQUES TECHNIQUES

| | |
|--------------------------|---|
| Type: | Applique |
| Indice de protection IP: | IP44 |
| Source lumineuse 1: | 1 x E27 max.23W Longueur maximale de la lampe : 180.00 mm |
| Tension / Fréquence: | 220-240V/50-60Hz |
| Garantie (Années): | 2 |
| Unités par caisse: | 8 |
| Poids net (kg): | 1.48 |
| EAN: | 8435381400507 |



MATIÈRES / FINITIONS

Matière structure: Aluminium injecté

Matière diffuseur: Polycarbonate

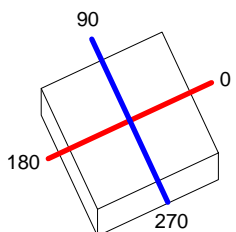
Finition structure: Gris urbain

Finition diffuseur: Opale

| | | | | | | |
|----------------------------|--------------|-----------------------------|-----------------|--------------|------------|------|
| Luminaire | | Measur. | | Lamp | | |
| Code | 05-9686 | Code | 05-9686 | Code | E27 | |
| Name | outdoor | Name | outdoor | Number | 1 | |
| Line | Thomas | Date | 17-12-2013 | Position | | |
| Efficiency | 42.14% | Coordinate system | CG | Total Flux | 1200.00 lm | |
| Maximum value | 109.65 cd | Position | C=180.00 G=1.00 | Asymmetrical | | |
| Rectangular Luminaire | Length | 1 mm | Width | 1 mm | Height | 1 mm |
| Rectangular Luminous Area | Length | 1 mm | Width | 1 mm | Height | 1 mm |
| Horizontal Luminous Area | 0.000001 m2 | Emitting area on Plane 180° | | 0.000001 m2 | | |
| Emitting area on Plane 0° | 0.000001 m2 | Emitting area on Plane 270° | | 0.000001 m2 | | |
| Emitting area on Plane 90° | 0.000001 m2 | Glare area at 76° | | 0.000001 m2 | | |
| Symmetry Type | Asymmetrical | Maximum Gamma Angle | | 180 | | |
| Measurement Distance | 0.00 | Measurement Flux | | 1200.00 lm | | |
| Operator | | Source voltage | | | | |
| Temperature | 25.00 °C | Source current | | | | |
| Humidity | 60.00 % | Photocell | | | | |
| Notes | | | | | | |

| Luminaire Lamps | | | | | |
|-----------------|-----------------|-------------------|-----------|----------|------|
| Line | Code | Name | Flux [lm] | Pow. [W] | Q.ty |
| IESNA-1995 | E27 | 05-9686 - 21.80 W | 1200.00 | 21.80 | 1 |
| C.I.E. | 36 65 86 79 42 | D DIN 5040 | | B21 | |
| F UTE | 0.33 H + 0.09 T | B NBN | | BZ 6 | |

1mm x 1mm



C Halfplanes

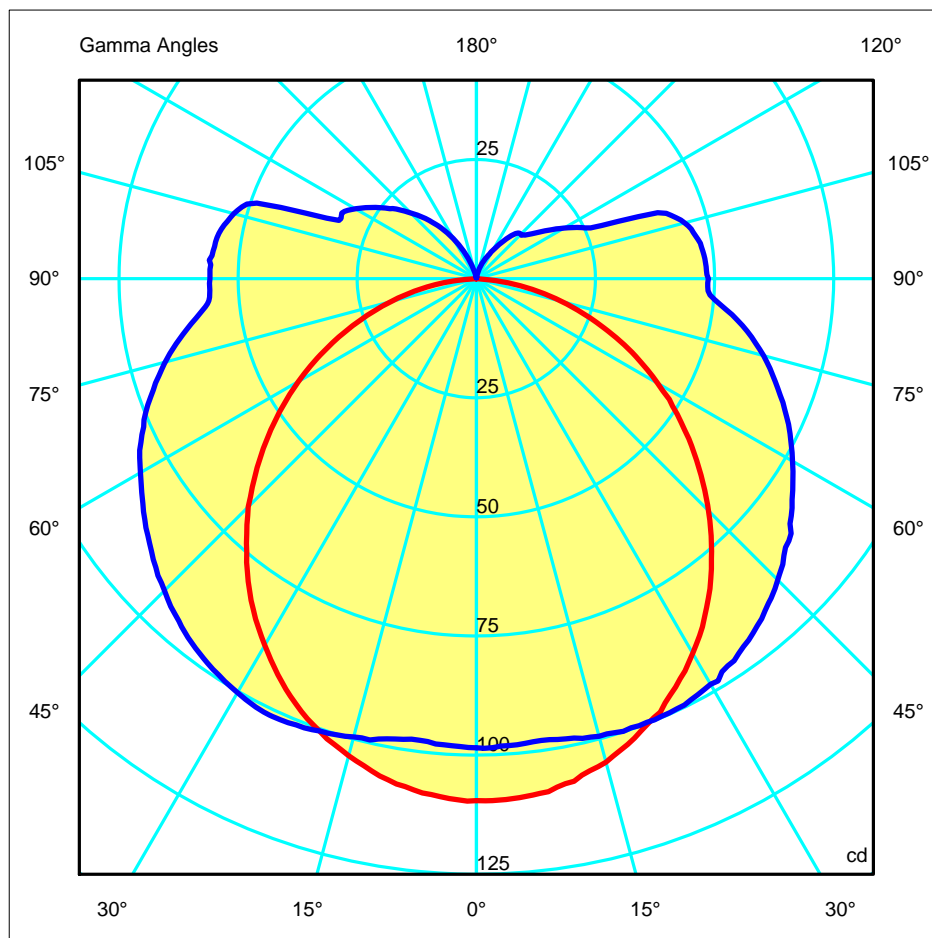
180.0 — 0.0

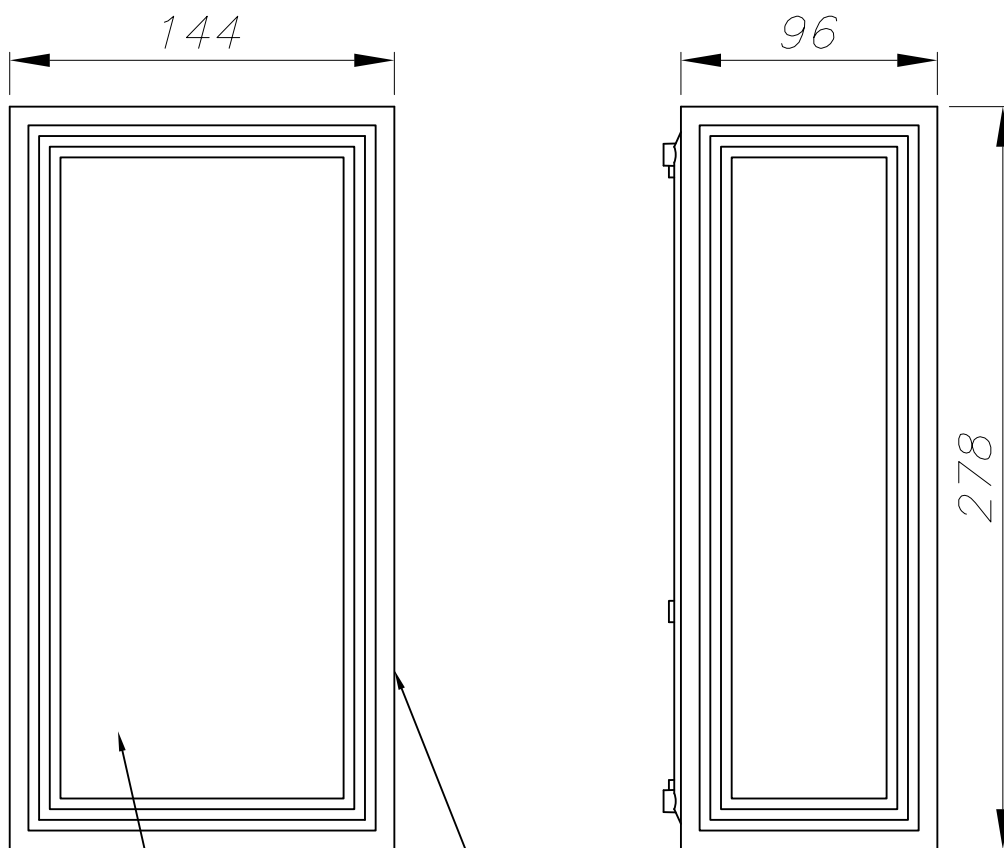
270.0 — 90.0

ULOR 8.99 %

DLOR 33.15 %

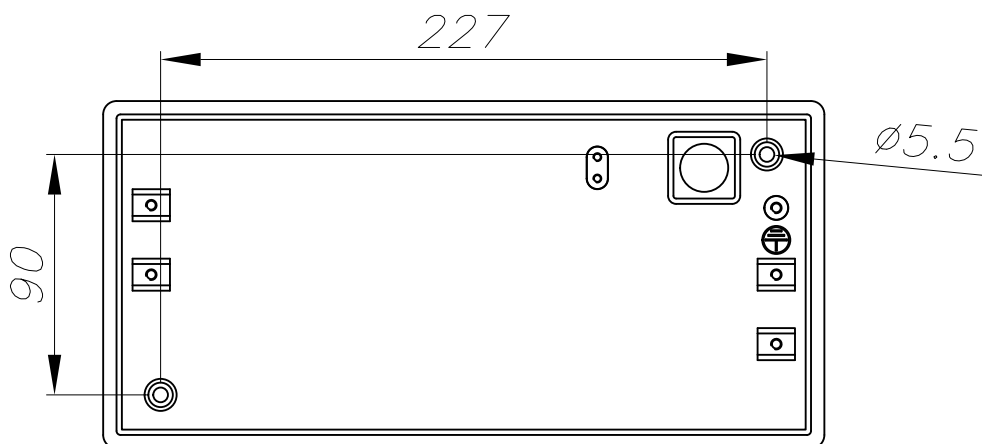
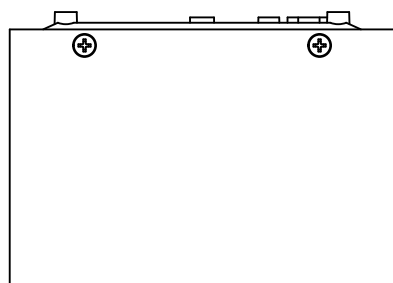
RN 21.32 %





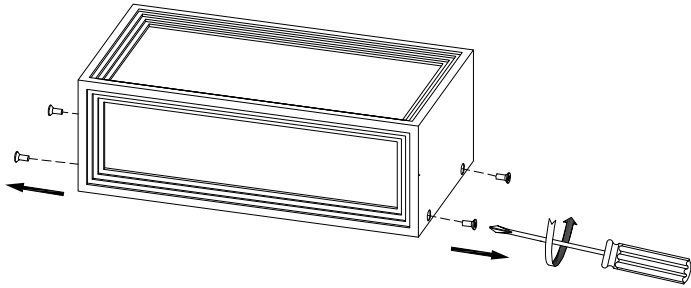
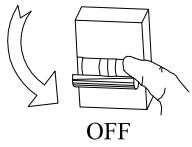
PC OPAL
OPAL PC

ALUMINIO INYECTADO
INJECTED ALUMINUM

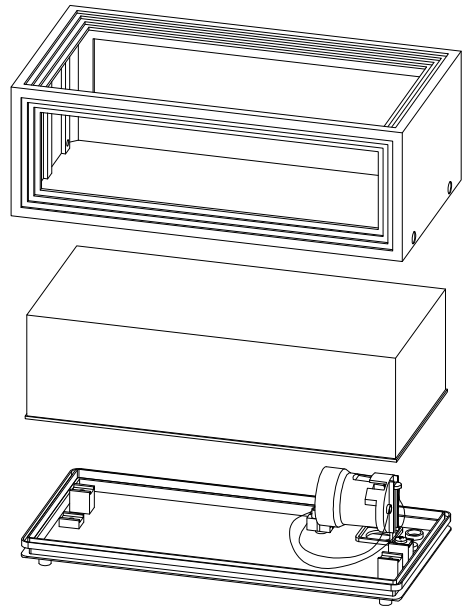


PLANTILLA DE INSTALACIÓN
INSTALLATION TEMPLATE

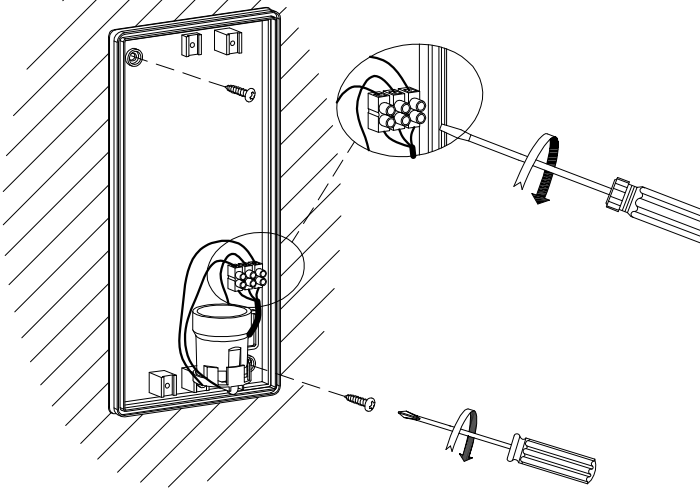
①



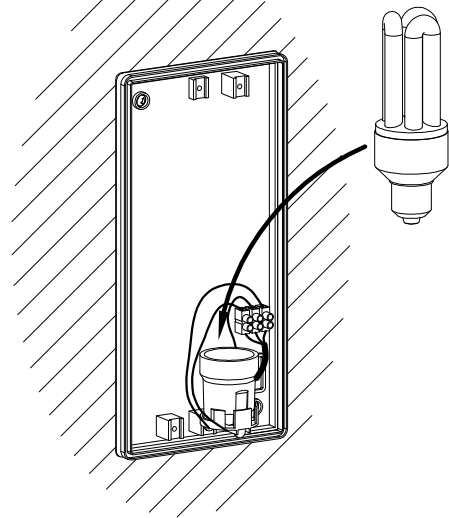
②



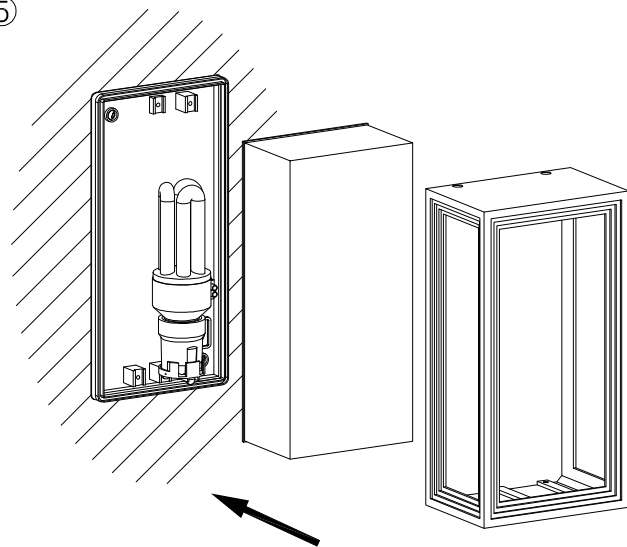
③



④



⑤



⑥

